



MWET Series

90mm Wall mounting Semicircular
Multi-channel LED Signal Light



- 3 Colors Signal Light
- Split lens can show different colors
- Large LED Light-emitting Lens (93mm)
- Optional built-in Alarm
- IP65 (With Alarm: IP52)

Ordering Information

MWET C F - 3 00 - RYG M

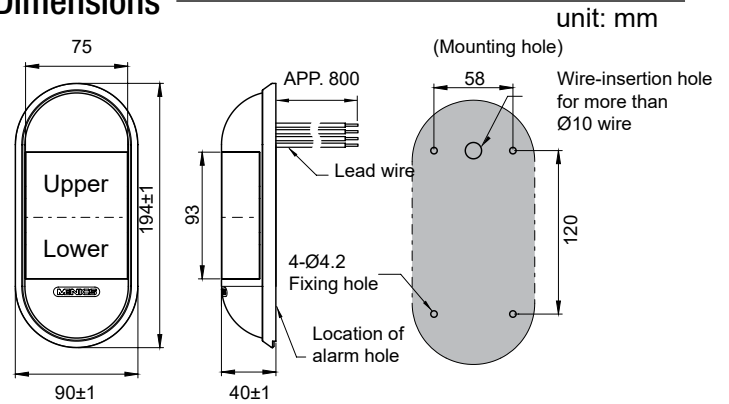
① ② ③ ④ ⑤ ⑥

① Housing Color (Optional)	no mark	Cream
	C	Nickel-plated
② Light Style	F	Steady/Flashing
	B	Steady/Flashing/Alarm
③ LED Signals	3	3 Colors
④ Power Supply	00	12~24VDC
	FF	110~220VAC
⑤ LED Colors	RGB	Red, Green, Blue
	RYG	Red, Yellow, Green
⑥ Lens Color (Optional)	No Mark	Clear Lens
	M	Milky Lens

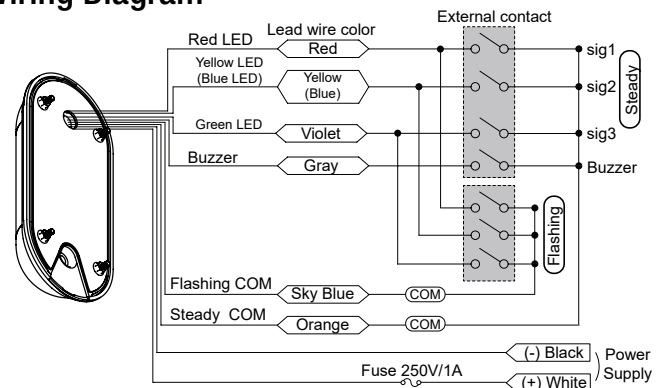
Specifications

Power Supply	12~24 DC	110~220 AC
Current Consumption	Max 0.22A ±10%	Max 0.08A ±10%
Flash Rate	12VDC	80±5 times per minute
	24VDC	85±5 times per minute
	110~220VAC	85±5 times per minute
Alarm Sound Level	75±5dB (at 1M, Sound Level is maximum)	
Wiring Method	Lead wire connection	
Vibration Resistance	0.75mm at 10~55Hz	
Dielectric strength	1000VAC 50/60Hz for 1min	
Insulation Resistance	100 MΩ minimum (500VDC mega)	
Ambient Temperature	-20~40°C	
Storage Temperature	-20~70°C	
Ambient Humidity	45~85% RH	
Degree of Protection	IP65 (IP52-Buzzer type)	
Recommended Wire Size	UL 1007/22AWG	
Weight	AC type – About 300g, DC type – About 293g	
Approvals	RoHs, UL, CE	

Dimensions



Wiring Diagram



Pay attention to the polarity if it is DC-type.

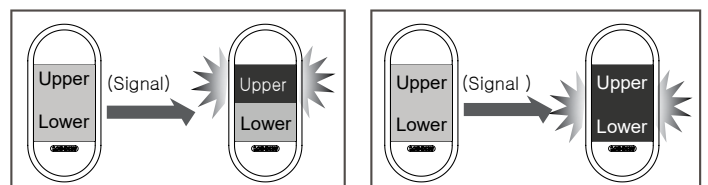
Product Operating Conditions

Combination chart of color display

Signal wire condition			Red/yellow/Green		Red/Blue/Green	
Red LED (Red wire)	Yellow/Blue LED (Yellow/blue wire)	Green LED (Violet wire)	Upper Display	Lower Display	Upper Display	Lower Display
0	1	1	Red		Red	
1	0	1	Yellow		Blue	
1	1	0	Green		Green	
0	1	0	Red	Green	Red	Green
0	0	1	Red	Yellow	Blue	Red
1	0	0	Yellow	Green	Blue	Green
0	0	0	Red	OFF	Blue	OFF
1	1	1	OFF		OFF	

0: Orange wire (-) COM ----> Connection status

1: Open condition



Upper & lower lens can show different colors on a signal light.