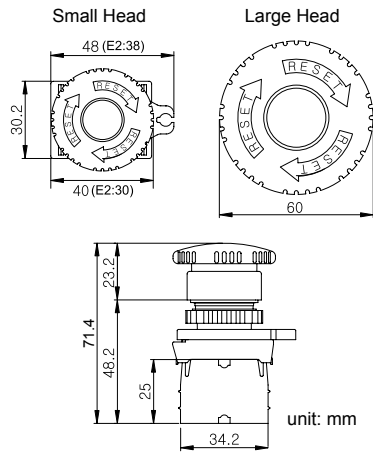


# 22mm Push Buttons and Switches

## Emergency Stops



## Ordering Information

S2ER - E3 R A D  
 ① ② ③

① Size	E2	Ø30mm
	E3	Ø40mm
	E4	Illuminated Ø40mm
	E5	Ø60mm
② CONTACT BLOCK	A	Normally Open
	B	Normally Closed
③ LED*	D	LED 12~30V AC/DC
	L	LED 100~220V AC

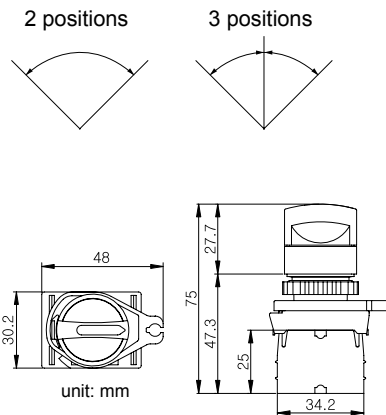
\* Only available with sized E4 series.

## Selector Switches



Lever Type

Knob Type

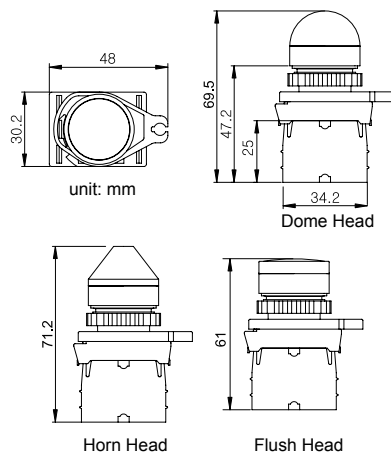


## Ordering Information

S2SR- S 3 R A  
 ① ② ③

① Type	3	Knob type 2 Positions Single Fixed Position
	4	Lever type 2 Positions Single Fixed Position
	5	Knob type 3 Positions Double Auto Spring Return
	6	Lever type 3 Positions Double Auto Spring Return
	7	Knob type 3 Positions Double Fixed Position
	8	Lever type 3 Positions Double Fixed Position
② Color	R	Red
	W	White
③ Contact block	A	1 normally open block
	B	1 normally close block
	2A	2 normally open blocks
	2B	2 normally close blocks
	AB	1 A Block & 1 B Block

## Pilot Lamps



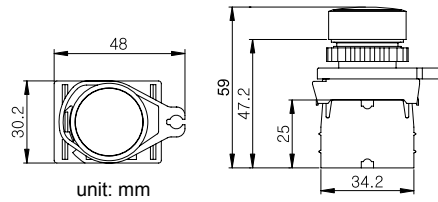
## Ordering Information

L2RR- L 1 R D  
 ① ② ③

① Head Type	1	Dome Head
	2	Horn Head
	3	Flat Head
② Color	R	Red
	B	Blue
	G	Green
	Y	Yellow
	W	White
③ LED	D	LED 12~30V AC/DC
	L	LED 100~220V AC



## Momentary Push Button



unit: mm



## Ordering Information

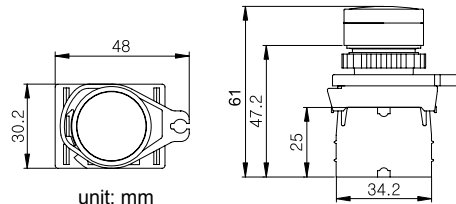
S2PR - P1 **R** - **A**

① ②

① Color	<b>R</b>	Red
	<b>B</b>	Blue
	<b>G</b>	Green
	<b>Y</b>	Yellow
	<b>K</b>	Black
② CONTACT BLOCK	<b>A</b>	Normally Open
	<b>B</b>	Normally Closed



## Illuminated Push Button



unit: mm



## Ordering Information

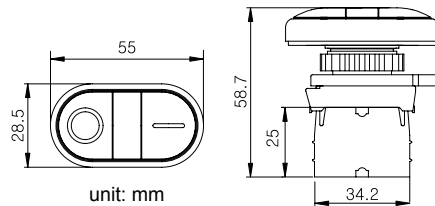
S2PR - P3 **R** - **A** **D**

① ② ③

① Color	<b>R</b>	Red
	<b>B</b>	Blue
	<b>G</b>	Green
	<b>Y</b>	Yellow
	<b>W</b>	White (Clear)
② CONTACT BLOCK	<b>A</b>	Normally Open
	<b>B</b>	Normally Closed
③ LED*	<b>D</b>	LED 12~30V AC/DC
	<b>L</b>	LED 100~220V AC



## Double Push Button



unit: mm



## Ordering Information

Illuminated Auto Spring Return Type

<b>S2TR-P3WABD</b>	LED 12~30V AC/DC
<b>S2TR-P3WABD</b>	LED 100~220V AC

## Specifications

Mechanical characteristics	Actuating travel	5.5mm (0 ~ -0.5)	
	Actuating force	4.9N (0.5KgF) (at 1 contact)	
	Shock	Shock resistance	500m/s <sup>2</sup> (50G) In each of x,y,z directions for 3 times
		Mechanical malfunction	100m/s <sup>2</sup> (10G) In each of x,y,z directions for 3 times
		Vibration resistance	1.5mm amplitude at frequency of 10~55Hz(for 1minute) in each of x,y,z directions for 2v hours
	Vibration	Mechanical malfunction	1.5mm amplitude at frequency of 10~55Hz(for 1minute) in each of x,y,z directions for 10 minutes
Mechanical life time		Min. 1000 thousand (20 times/min)	
Electrical characteristics	Rated voltage/current	110VAC/10A, 220VAC/5A	
	Dielectric strength	2000VAC 50/60Hz For 1 minute	
	Insulation resistance	Min.100MΩ (at 500VDC)	
	Contact resistance	Max.20mΩ (Initial value)	
	Electric life cycle	Min. 1000 thousand (20 times/min)	
LED block	Rated voltage	DC type : 12-30VAC/DC, AC type : 100-220VAC	
	Power consumption	Max. 20mA	
Environmental characteristics	Ambient temperature	-15 ~ 55 °C (at non-freezing status)	
	Ambient humidity	35 ~ 85%RH	
	Storage temperature	-25 ~ 65 °C (at non-freezing status)	
	Protection degree	IP52 (IP 50 for Double push button switch)	
Approval	(Emergency switches is  process of certification)		