

B30 Series

Ø30mm Switches/Buttons



General Specifications

Nominal Rating		10A 250VAC
Contact Resistance		Max. 50mΩ
Insulation Resistance		100MΩ at 500V DC
Frequency of Alteration	Mechanical	30 operation/min
	Electrical	30 operation/min
Dielectric Strength	btwn Charging sectors	1,800VAC/Min. (50~60Hz)
	btwn charger & earth	2,500VAC/Min. (50~60Hz)
Expected Life	Mechanical	500,000 times
	Electrical	100,000 times
Degree of Protection		IP63 (Optional IP65)
Ambient Temperature	Operation	-25°C~ +70°C
	Storage	-30°C~+80°C
Ambient Humidity		35~80% RH

	Style	Operation	Part Number
Push button		Momentary	B30-21①
		Momentary Illuminated	B30-27①②
Half guarded Push button		Momentary	B30-21①-EG
Maintained Selector switch		2 Step Knob	B30-41S
		2 Step long lever	B30-41L
		3 Step Knob	B30-51S
		3 Step long lever	B30-51L
Maintained Key Selector		2 Step	B30-61K
		3 Step	B30-71K
Mushroom 45mm head		Momentary	B30-21①-N40
Halfmoon guard 65mm Head		Momentary	B30-21①-C65

* ① (Head color) = R: Red, Y: Yellow, G: Green, B: Blue, W: White, K: Black

* ② (Operation Voltage) = 24VDC, 110VAC, 220VAC

LED	Normal Current	AC	LED	Approx. 15mA
		DC	LED	Approx. 15mA
	Voltage	24VAC		
Expected Life			Min. 50,000 hrs	

Current Ratings

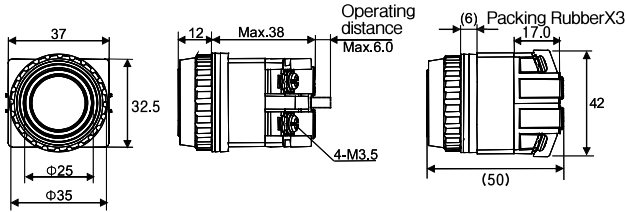
Contact Form		1NO+ 1NC		
Contact Material		Ag Alloy		
Rated Current	Voltage	AC1	AC3	DC1
	24V	20A	10A	6A
	110V	16A	8A	1.2A
	250V	10A	5A	0.5A
	440V	5A	2.5A	0.25A

	Style	Operation	Part Number
Extended 65mm Head		Momentary	B30-21①-H65
Full guard 65mm Head		Momentary	B30-21①-F65
Mushroom 65mm Head		Momentary	B30-21①-N65
EN418 Safety Lock E-stop switch		Turn to release	B30-81L
Water proof E-stop switch		Turn to release	B30-81A
E-stop switch		Turn to release	B30-81R
Connect Block		BCB(NC) BCA(NO)	

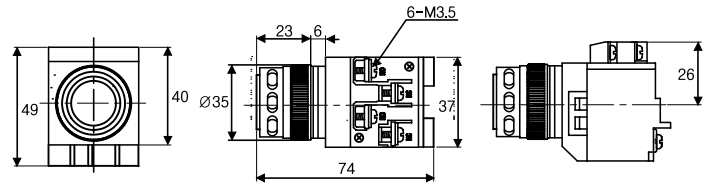
Dimensions

Unit: mm

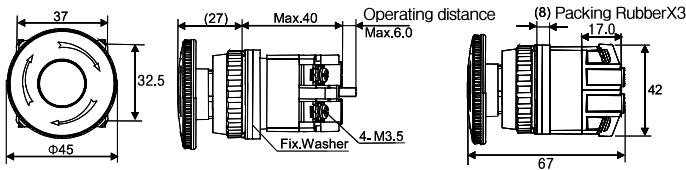
Push Buttons



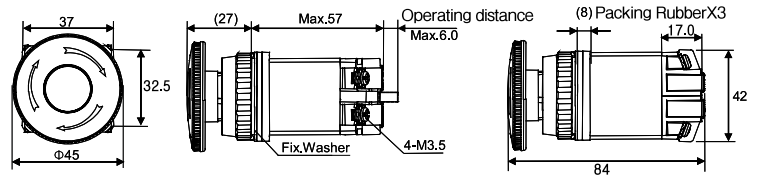
Illuminated Push Buttons



E-Stop Switches

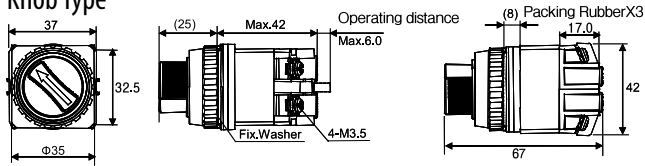


E-Stop Switches (water proof)/ Latch Type E-Stop Switches

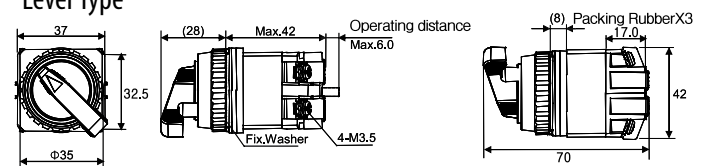


Selector Switches

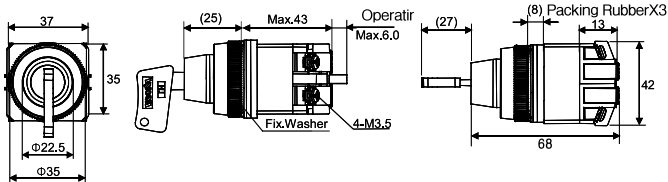
Knob Type



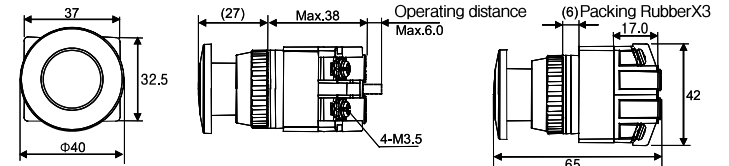
Lever Type



Key Switches

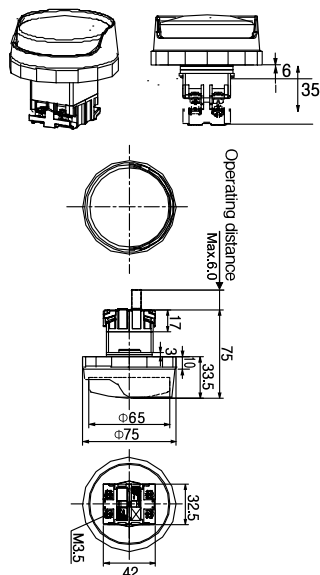


Mushroom Push Buttons

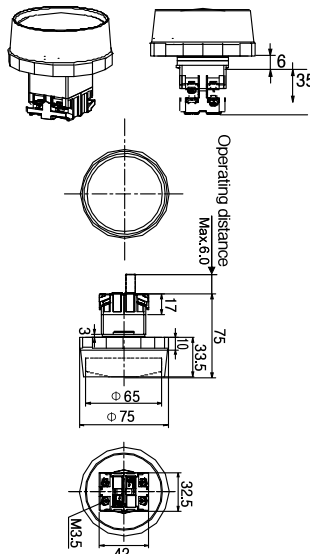


65mm Metal Guarded Head Push Buttons

Halfmoon Guard



Full Guard



Extended head

