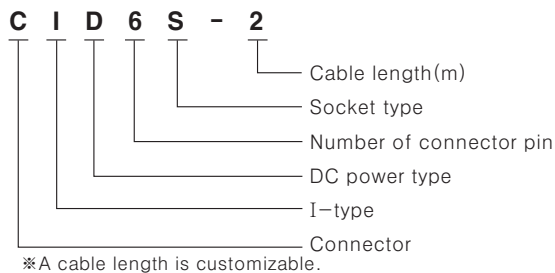


# Encoder Connector Cable

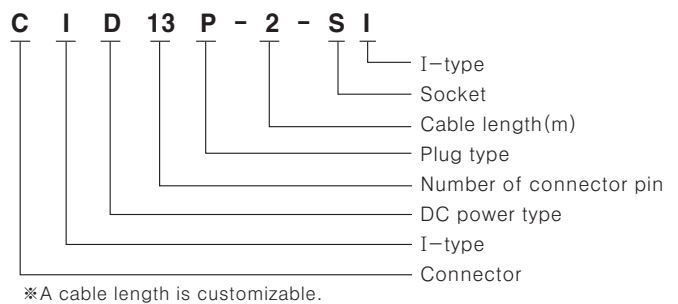
## Encoder connector cable / General connector cable

### Ordering information

◎Socket type



◎Plug-socket type

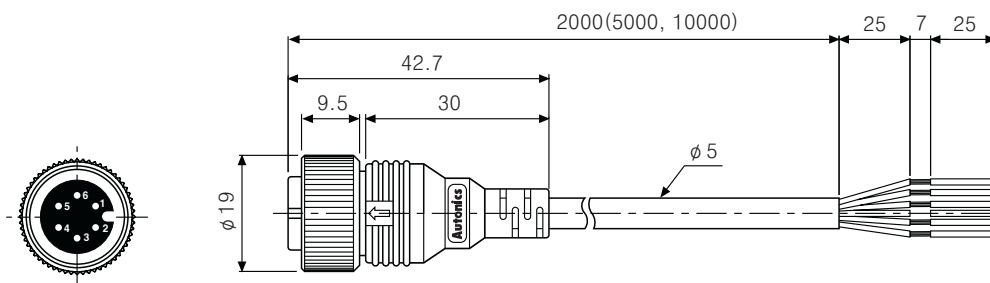


### Dimensions

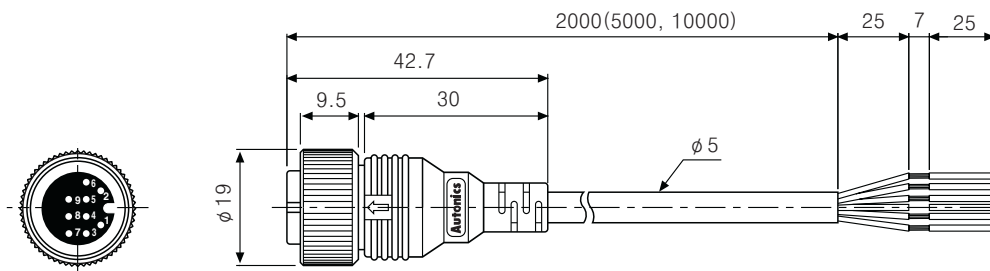
◎Socket type

(Unit:mm)

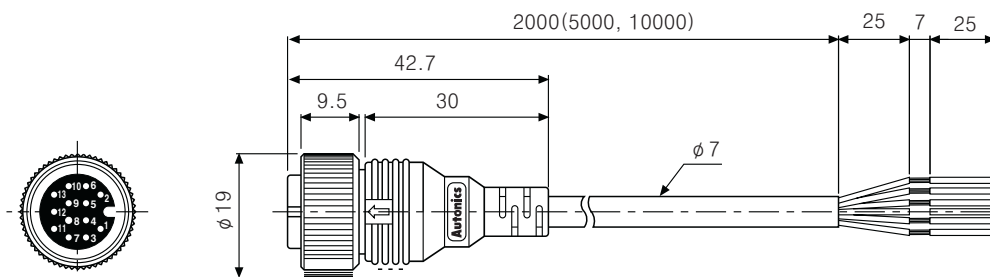
●CID6S-2, CID6S-5, CID6S-10 (Totem pole output / NPN open collector output / Voltage output)



●CID9S-2, CID9S-5, CID9S-10 (Line driver output)



●CID13S-2, CID13S-5, CID13S-10 (For cam positioner)



◎Plug-socket type

●CID13P-2-SI, CID13P-5-SI, CID13P-10-SI (For cam positioner)

