



MS115L Series

Ø115mm LED Signal Lights



- Triple-reflection system for enhanced visibility
- Enhanced Illumination : long-life, super bright LED
- Energy efficient : Low power consumption

Specifications

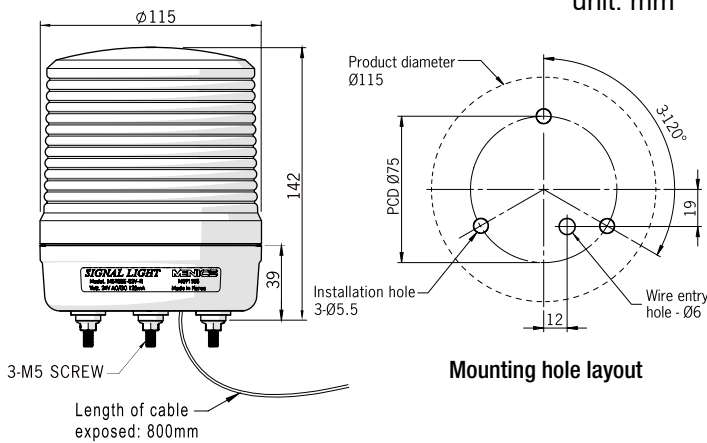
Style	LED Steady, Flashing + Buzzer				
Power Supply	24VAC/DC		90~240VAC		
Current Consumption (RMS value ±10%)		LED	w/Buzzer	LED	w/Buzzer
	R	0.13A	0.16A	0.07A	0.10A
	Y	0.11A	0.14A		
	G	0.25A	0.28A		
	B	0.25A	0.28A		
C	0.29A	0.32A			
Flash rate	80 ±10 flashes/min				
Alarm Sound Level	80 ±5 dB at 1m				
Vibration	0.75mm at 10~55Hz				
Ambient Temp.	-20~40°C				
Storage Temp.	-20~70°C				
Ambient Humidity	45~85% RH				
Degree of Protection	IP65				
Weight	Approx. 325g				
Connection	2464UL/22AWG				
Certificate/Compliance	RoHS, UL				

Ordering Information

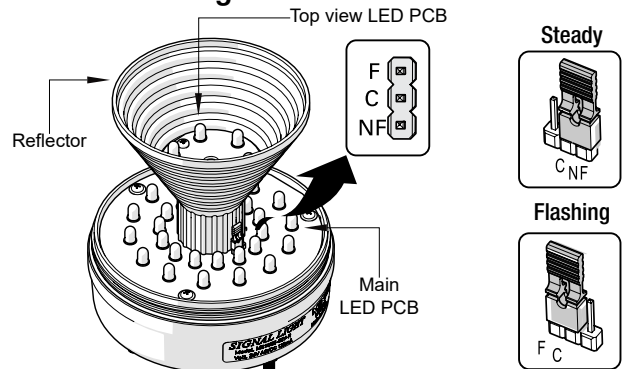
MS115L - F 02 - R
 ① ② ③

① Style	F	Steady & Flashing
	B	Steady & Flashing w/Alarm
② Power Supply	02	24V AC/DC
	FF	90-240V AC
③ Colors	R	Red
	Y	Yellow
	G	Green
	B	Blue
	C	Clear

Dimensions

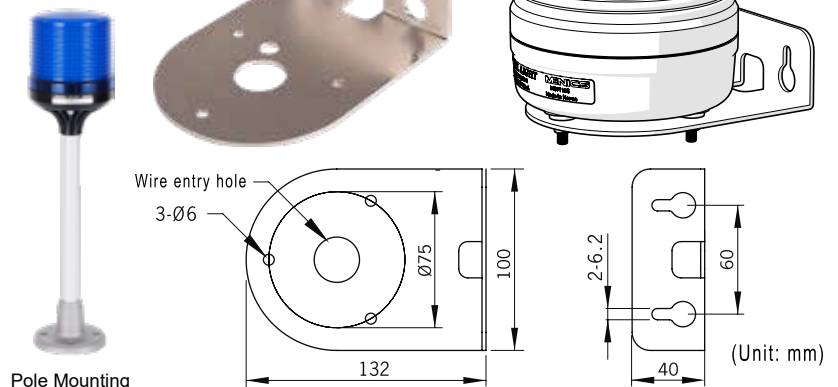


Feature settings



Wall mounting options (for all MS115 Series)

Model: MAM-DS29
Material: Steel



Wiring Diagram

