



MS115L Series

Ø115mm LED Signal Lights



- Triple-reflection system for enhanced visibility
- Enhanced Illumination : long-life, super bright LED
- Energy efficient : Low power consumption

Specifications

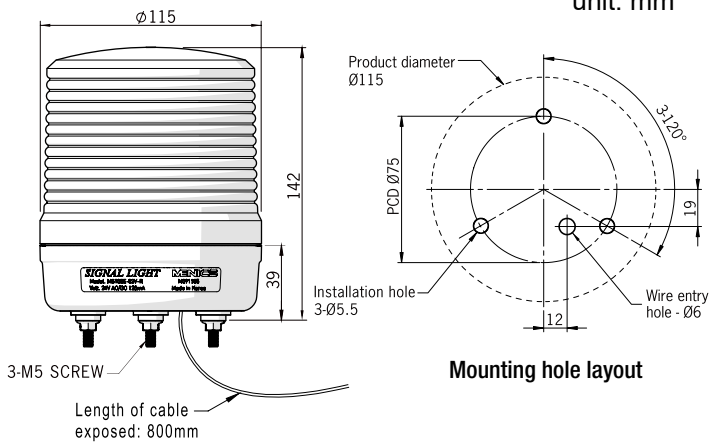
Style	LED Steady, Flashing + Buzzer				
Power Supply	24VAC/DC		90~240VAC		
Current Consumption (RMS value ±10%)		LED	w/Buzzer	LED	w/Buzzer
	R	0.13A	0.16A	0.07A	0.10A
	Y	0.11A	0.14A		
	G	0.25A	0.28A		
	B	0.25A	0.28A		
C	0.29A	0.32A			
Flash rate	80 ±10 flashes/min				
Alarm Sound Level	80 ±5 dB at 1m				
Vibration	0.75mm at 10~55Hz				
Ambient Temp.	-20~40°C				
Storage Temp.	-20~70°C				
Ambient Humidity	45~85% RH				
Degree of Protection	IP65				
Weight	Approx. 325g				
Connection	2464UL/22AWG				
Certificate/Compliance	RoHS, UL				

Ordering Information

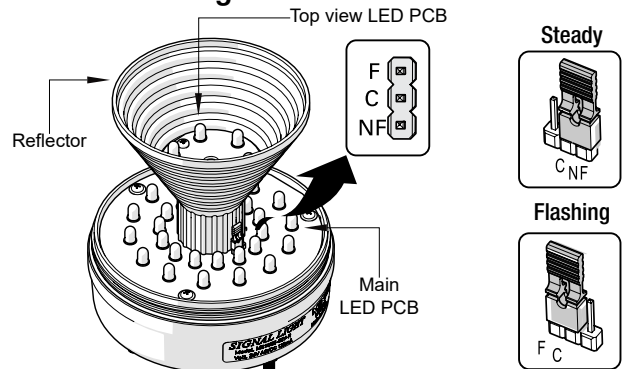
MS115L - F 02 - R
 ① ② ③

① Style	F	Steady & Flashing
	B	Steady & Flashing w/Alarm
② Power Supply	02	24V AC/DC
	FF	90-240V AC
③ Colors	R	Red
	Y	Yellow
	G	Green
	B	Blue
	C	Clear

Dimensions

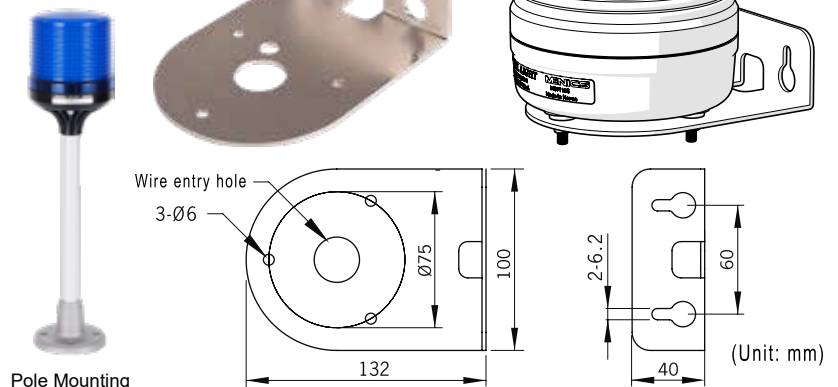


Feature settings

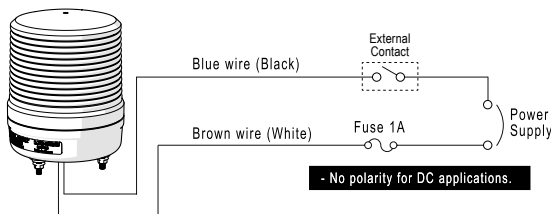


Wall mounting options (for all MS115 Series)

Model: MAM-DS29
Material: Steel



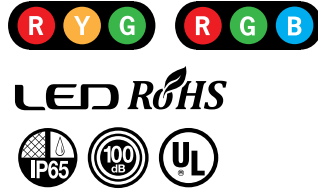
Wiring Diagram





MS115M Series

Ø115mm 3 colors in 1 LED Signal Lights



- 3 Colors in 1 LED modular components
- Bright & even light distribution with prism-cut lenses
- Multi-functional LED signal light
- Flashing Cycles : 2 patterns (Selectable by a switch)
- Optional Audible Alarm upto 100dB (adjustable volume)

Ordering Information

MS115M - F 00 - RYG
 ① ② ③

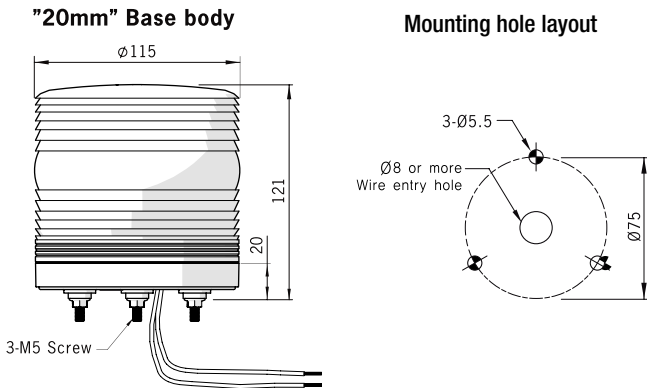
① Style	F	Steady & Flashing
	B	Steady & Flashing w/Alarm
② Power Supply	00	12-24V AC/DC
	FF	90-240V AC
③ Colors	RYG	Red, Yellow and Green
	RGB	Red, Green and Blue

Specifications

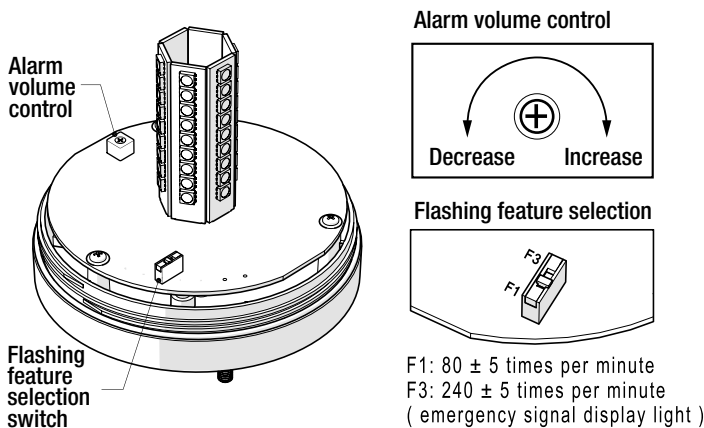
Functions	Steady, Flashing + Alarm	
Power Supply	12~24VAC/DC	90~240VAC
Current Consumption	F Style	0.6A
	B Style	0.76A
Flash rate(Adjustable)	F1: 80 ±10 flashes/min., F3: 240±10times/minute(emergency signal)	
Alarm Sound Level	10~100 ±5 dB at 1m: Volume adjustable	
Vibration	0.75mm at 10~55Hz	
Ambient Temp.	-20~40°C	
Storage Temp.	-20~70°C	
Ambient Humidity	45~85% RH	
Degree of Protection	IP65	
Recommended Wire Size	UL1007/22AWG	
Weight	Approx. 360g	
Certificate/Compliance	RoHS, UL	

Dimensions

unit: mm



Feature settings



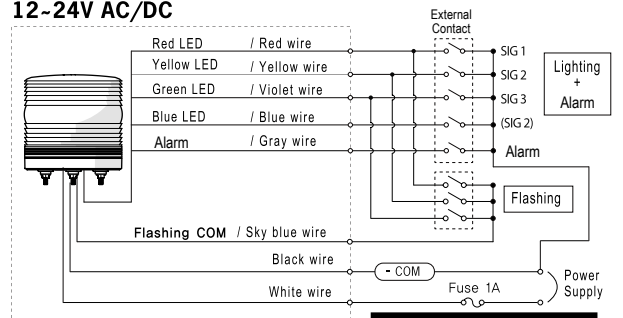
See page 19 - 21 for mounting options and accessories



Pole Mounting

Wiring Diagram

12~24V AC/DC



90~240V AC

