



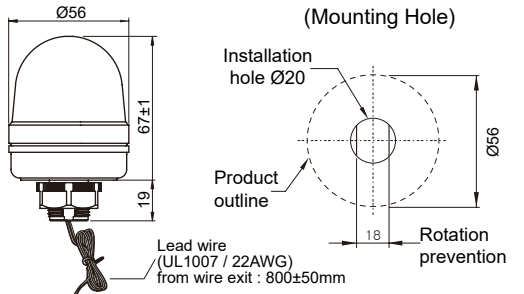
# MS56M Series

Ø56mm Multi color LED Signal Light



- Steady, Flashing type
- Wire draw-out type and internal switch type
- Various power supply
- Plastic M20 nut panel mounting type

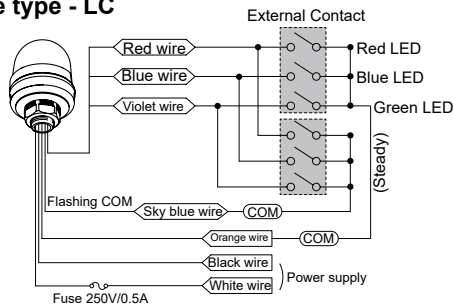
## Dimensions



## Wiring Diagram

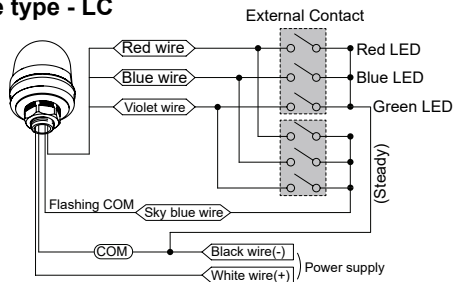
### 100~240VAC

#### Lead wire type - LC



### 12/24VDC

#### Lead wire type - LC



## LED color wiring chart

Condition	Wiring Line color	Lens color
1	Red	Red
2	Violet	Green
3	Blue	Blue
4	Red+Violet	Yellow
5	Red+Blue	Pink
6	Violet+Blue	Cyan
7	Red+Violet+Blue	White

## Ordering Information

MS56M - 02 - LC

①                      ②



① Power Supply	01	12VDC
	02	24VDC
	FF	100~240VAC
② Output Method	LC	External contact type Lead Wire type
	SW	Internal dip switch type -

## Specifications

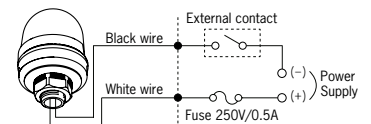
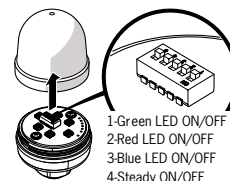
Function	Steady, Flashing
Power Supply	12VDC, 24VDC 100~240VAC (AC. 50/60Hz)
Dimension	56mm
LED color	Red, Yellow, Green, Cyan, Blue, Pink, White
Lens color	Milky white
Flashing rate	80±5times/minute
Connection	UL1007 / 22AWG
Material	Lens - PC resin, Body - ABS resin
Vibration	0.75mm at 10~55Hz
Ambient temperature	-15 ~ 40°C
Storage ambient temperature	-25 ~ 70°C
Ambient humidity	45 ~ 85% RH
Protection structure	IP65 (front)

## Current Consumption

(RMS ±10%)

	12VDC	24VDC	100~240VAC
Steady Light	0.13A	0.08A	0.08A

## Internal Switch Type



LED Colors	Steady	Flashing
No.1 Green	ON 1 2 3 4 5	ON 1 2 3 4 5
No.2 Red	ON 1 2 3 4 5	ON 1 2 3 4 5
No.3 Blue	ON 1 2 3 4 5	ON 1 2 3 4 5

LED Colors	Steady	Flashing
No.4 Yellow	ON 1 2 3 4 5	ON 1 2 3 4 5
No.5 Cyan	ON 1 2 3 4 5	ON 1 2 3 4 5
No.6 Pink	ON 1 2 3 4 5	ON 1 2 3 4 5
No.7 White	ON 1 2 3 4 5	ON 1 2 3 4 5

## Optional Parts

See page 19 - 21  
for mounting options  
and accessories



Wall mounting bracket  
MAM-DS25  
Steel