



# T Series

Metal Chassis Pushbuttons



## Ordering Information

T ① - ② ③ ④ ⑤ ⑥ ⑦

① Size	<b>16</b>	Ø16mm		
	<b>19</b>	Ø19mm		
	<b>22</b>	Ø22mm		
	<b>25</b>	Ø25mm		
	<b>30</b>	Ø30mm		
② Operation Type	<b>1</b>	Pilot Lamp	<b>2</b>	Momentary Push
	<b>3</b>	Maintained Push	<b>4*</b>	2 Position Selector
	<b>5*</b>	3 Position Selector	<b>6*</b>	2 Position Key Selector
	<b>7*</b>	3 Position Key Selector	<b>8*</b>	Emergency Stop
	<b>A*</b>	Emergency Stop	<b>CZ*</b>	Buzzer
	③ Illumination & Shape	<b>1</b>	Non-Illuminated Round	
<b>7</b>		Illuminated LED Round		
<b>CR</b>		Continuous		
④ Contact Form	<b>0</b>	No Contact		
	<b>1</b>	1N/O + 1N/C		
	<b>2</b>	2N/O + 2N/C		
⑤ Color	<b>R</b>	Red		
	<b>Y</b>	Yellow		
	<b>G</b>	Green		
	<b>B</b>	Blue		
	<b>W</b>	White		
⑥ Button Type		Flush Head		
	<b>H</b>	Extended Head**		
⑦ Voltage	<b>D4</b>	24VDC		
	<b>A2</b>	110/220VAC		

\*T19 Series Only

\*\*T16 & T19 only, Non-Illuminated only

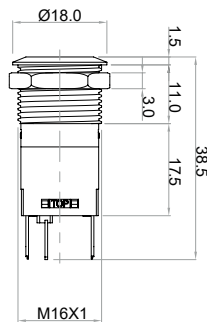
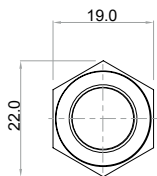
## Specifications

		T16, 19	T22, 25, 30	
General Specs.	Contact Resistance	Max. 50mΩ		
	Insulation Resistance	Min. 100MΩ at 500V DC		
	Dielectric Strength	2,000VAC for 1 Min.		
	Vibration Resistance	5~55Hz dual amplitude : 0.75mm		
	Shock resistance	Operation: 200m/s <sup>2</sup> , Endurance: 500m/s <sup>2</sup>		
	Life Cycles	Mechanical	Momentary: Min. 1,000,000 Maintained: Min. 250,000	
		Electrical	Momentary: Min. 100,000 Maintained: Min. 50,000	
	Frequency of On/Off	1,200 times/hr		
	Ambient Temperature	Operation: -25°C~ +55°C, Storage: -30°C~+80°C		
	Ambient Humidity	45~85%RH (at -5~+40°C)		
Degree of Protection	IP65			
Terminal soldering temperature	20W 5Sec / 260°C 3Sec			
Material	Body:SUS304, Operator:SUS316			
Contacts	Contact Arrangement	1N/O + 1N/C, 2N/O + 2N/C		
	Contact Material	Ag Alloy (24K Gold plate)		
	Rated Insulation Voltage	250VAC		
	Max. Switching Current	3A Max.	5A Max.	
	Max. Switching Voltage	250VAC, 110VDC		
LED Lamp	Rated Current	1A 24VDC / 120VAC	3A 24VDC/120VAC	
	Min. Switching Current	0.5A 250VAC	1.5A 250VAC	
	Color	Red, Green, Yellow, Blue, White		
	Operator Type	Round		
Buzzer	Rated Voltage	24VDC, 110VAC, 220VAC		
	Rated Current	15mA Approx.		
	Expected Life	50,000hrs		
	Sound Type	Continuous		
	Volume	80dB		
Buzzer	Rated Voltage	24VDC		
	Rated Current	Approx. 15mA		
	Life Cycles	1,000hours		

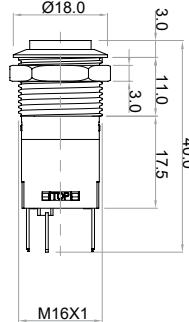
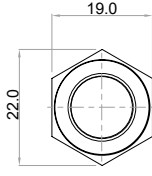
## Dimensions

Unit: mm

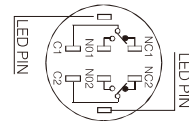
T16 Flush head pushbuttons



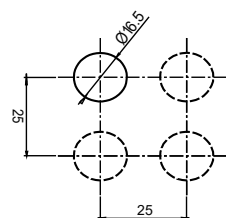
T16 Extended head pushbuttons



T16 Wiring Diagram



T16 Panel Cut-out



Tower Lights

Beacon Lights

LED Indicators Pilot Lamps

Buzzer Alarms

Pushbutton Switches

Limit Switches

Foot Switches

SSR

Relay & Sockets

Relay Terminal Blocks

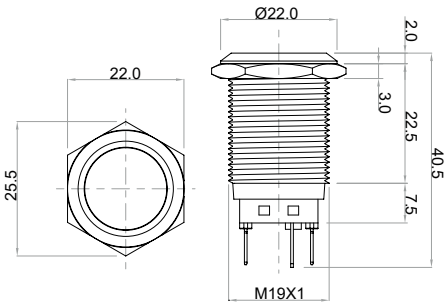
Terminal Blocks

Fuse Holders

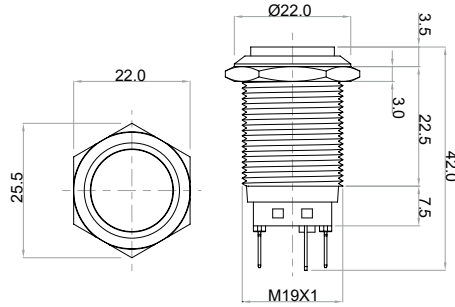
Enclosures

F18

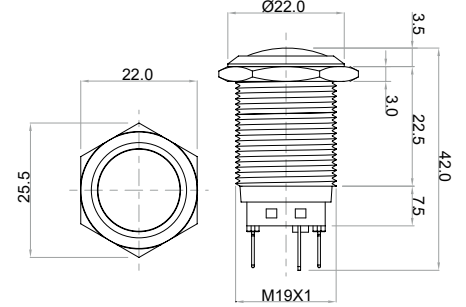
T19 Flush head pushbuttons



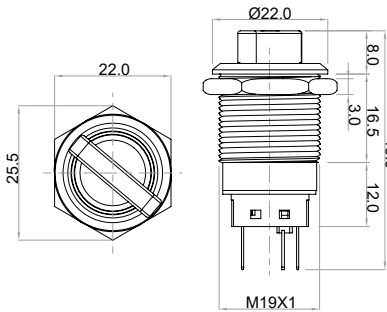
T19 Extended head pushbuttons



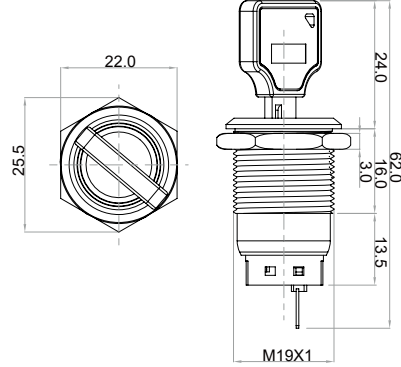
T19 Dome head pushbuttons



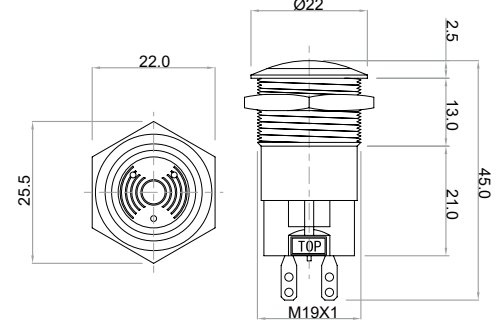
T19 Selector Switches



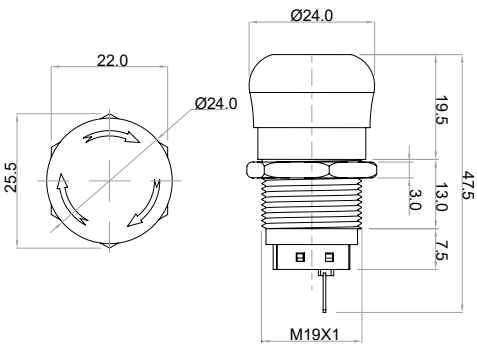
T19 Key Selector Switches



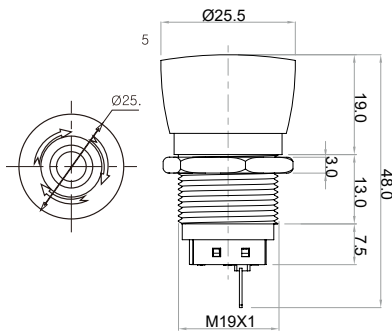
T19 LED Illuminated Buzzer



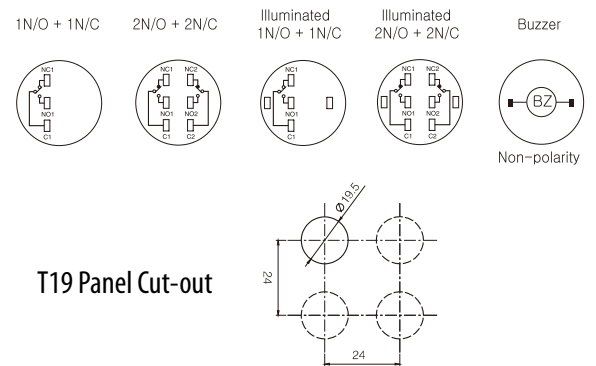
T19 Emergency Switches (T19-8 Type)



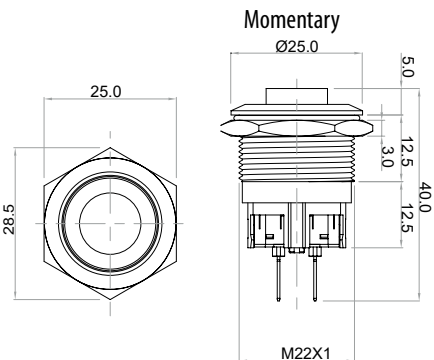
T19 Emergency Switches (T19-A Type)



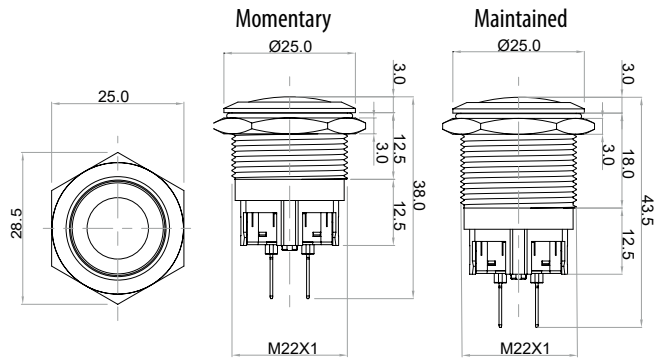
T19 Wiring Diagram



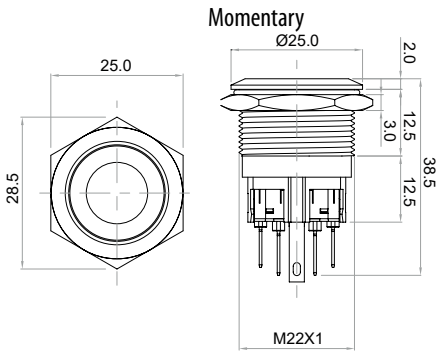
T22 Non-Illuminated Flush head pushbuttons



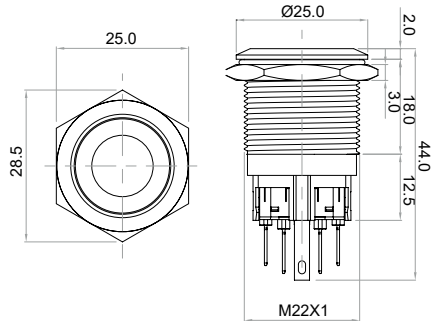
T22 Non-Illuminated Extended head pushbuttons



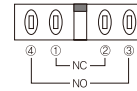
T22 Illuminated Momentary Flush head pushbuttons



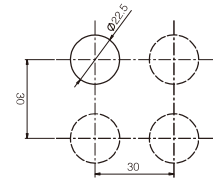
T22 Illuminated Maintained Flush head pushbuttons



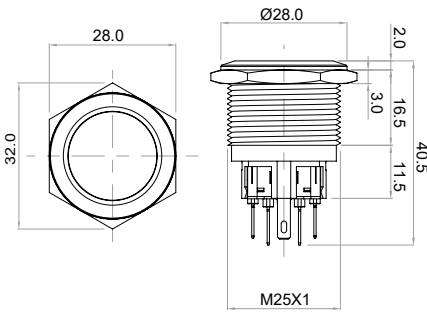
T22 Wiring Diagram



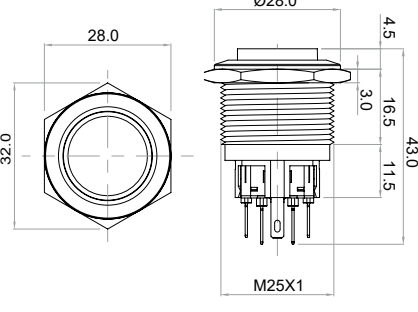
T22 Panel Cut-out



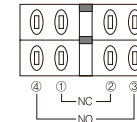
T25 Flush head pushbuttons



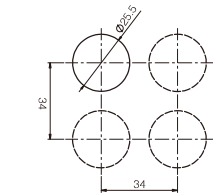
T25 Extended head pushbuttons



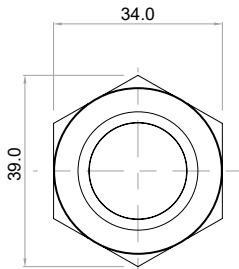
T25 Wiring Diagram



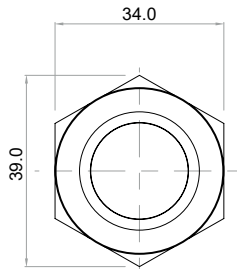
T25 Panel Cut-out



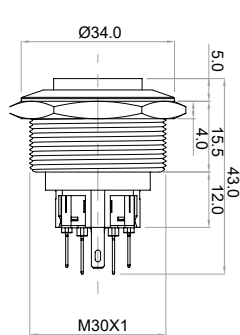
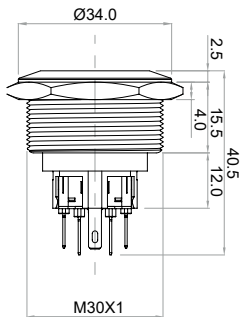
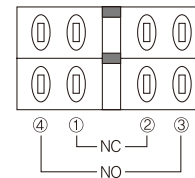
T30 Flush head pushbuttons



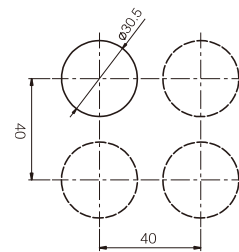
T30 Extended head pushbuttons



T30 Wiring Diagram



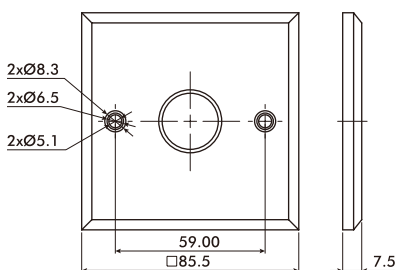
T30 Panel Cut-out



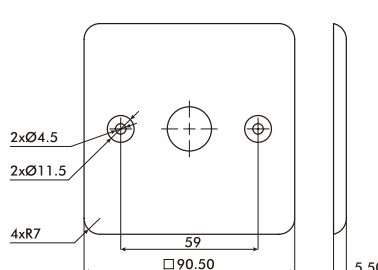
Accessory: Fix Plate

Unit: mm

T-P1 (T19, 22, 25, 30)



T-P2 (T19)



T-P3 (T16)

