

ZXM/KXM Series

Light Duty Limit Switches



Specifications

Contact Arrangement	Ag Alloy, SPDT(1NO+1NC)
Insulation Resistance	100MΩ at 500V DC
Contact Resistance	Max. 25mΩ
Ambient Temperature	Operation: -20°C~ +60°C, Storage: -30°C~+80°C
Ambient Humidity	90%RH Max
Degree of Protection	IP65

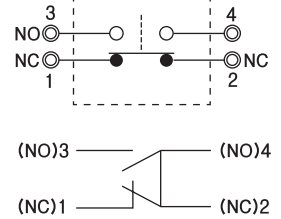
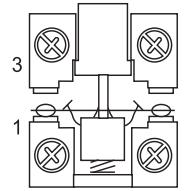
Operation Frequency	Electrical	Max. 30/min
	Mechanical	Max 120/min
Dielectric Strength	1,500VAC 50/60Hz 1min	
Expected Life	Electrical	Min. 300,000
	Mechanical	Min. 10,000,000

Contact Rating

Rated Voltage	Non-Inductive Load				Inductive Load			
	Resistive Load		Lamp Load		Inductive Load		Motor Load	
	NO	NC	NO	NC	NO	NC	NO	NC
125VAC	6A	6A	0.7A	1.5A	3A	3A	1A	2A
250VAC	6A	6A	0.5A	1A	3A	3A	0.8A	1.5A
500VAC	2A	2A	0.35A	0.75A	0.75A	0.75A	0.4A	0.75A
30VDC	5A	5A	3A	3A	4A	4A	3A	3A
125VDC	0.2A	0.4A	-	-	-	-	-	-
250VDC	0.2A	0.4A	-	-	-	-	-	-

Contact Diagram

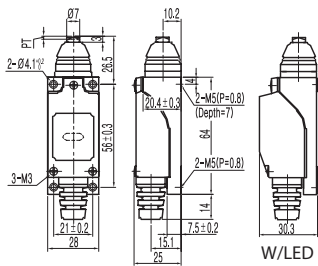
24K Au Plt



Dimensions

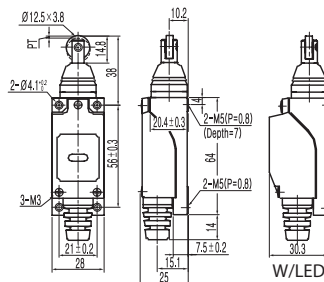
unit: mm

ZXM/KXM-301



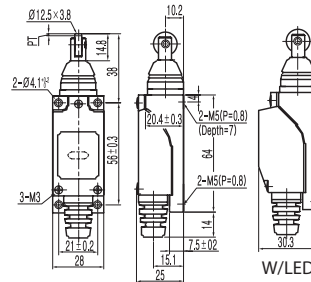
OF	900gf(8.83N)
RF	150gf (1.47N)
PT	1.5mm
MD	0.7mm
OT	4mm
TT	5.5mm

ZXM/KXM-302



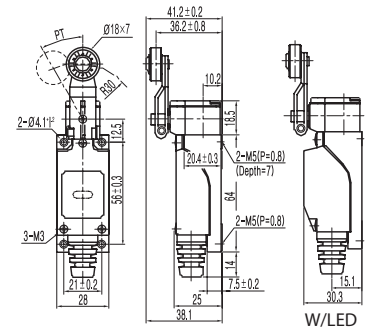
OF	900gf(8.83N)
RF	150gf (1.47N)
PT	1.5mm
MD	0.7mm
OT	4mm
TT	5.5mm

ZXM/KXM-312



OF	900gf(8.83N)
RF	150gf (1.47N)
PT	1.5mm
MD	0.7mm
OT	4mm
TT	5.5mm

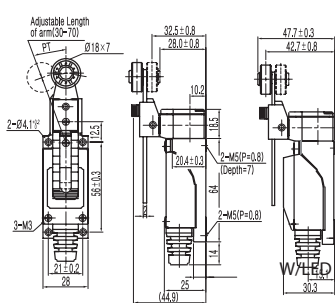
ZXM/KXM-702



OF	600gf(5.88N)
RF	50gf (0.49N)
PT	20°
MD	10°
OT	75°
TT	95°



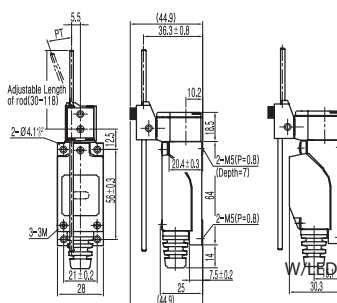
ZXM/KXM-703



OF	800gf(7.84N)~342gf(3.35N)
RF	50gf(0.49N)~21gf(0.21N)
PT	20°
MD	10°
OT	75°
TT	95°



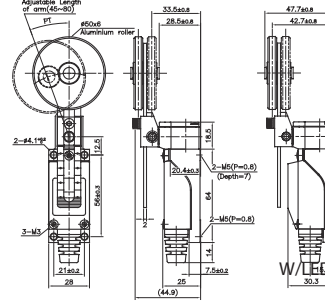
ZXM/KXM-704



OF	800gf(7.84N)~203gf(1.99N)
RF	50gf(0.49N)~12gf(0.12N)
PT	20°
MD	10°
OT	75°
TT	95°



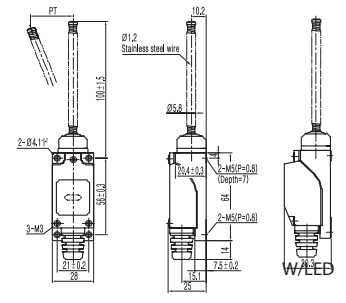
ZXM/KXM-726



OF	800gf(7.84N)~342gf(3.35N)
RF	50gf(0.49N)~21gf(0.21N)
PT	20°
MD	10°
OT	75°
TT	95°



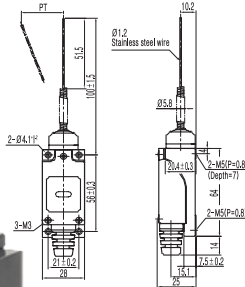
ZXM/KXM-901



OF	90gf(0.88N)
RF	-
PT	30°
MD	-
OT	20°
TT	50°



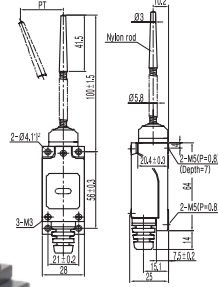
ZXM/KXM-902



OF	90gf(0.88N)
RF	-
PT	30°
MD	-
OT	20°
TT	50°



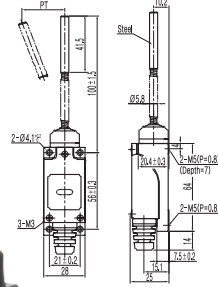
ZXM/KXM-903



OF	90gf(0.88N)
RF	-
PT	30°
MD	-
OT	20°
TT	50°



ZXM/KXM-923



OF	90gf(0.88N)
RF	-
PT	30°
MD	-
OT	20°
TT	50°

Option Parts

24K Gold Plated Contact Block
ZXM-101



Indicator Lamp

ZXM-102
LED 12 ~ 24V AC/DC
ZXM-103
Neon 80/240V AC



*Changable ON status at NC or NO